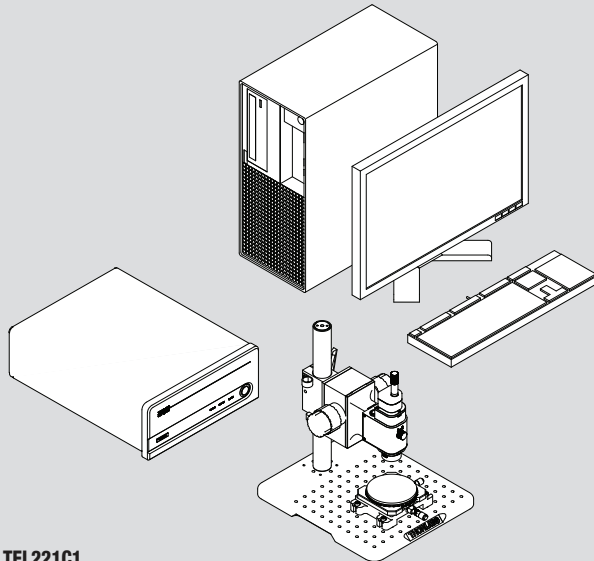


Telesto Series OCT Systems

TELESTO SERIES PRECONFIGURED SYSTEMS				
ITEM #	TEL211C1	TEL311C1	TEL221C1	TEL321C1
Base Unit	TEL211	TEL311	TEL221	TEL321
Center Wavelength	1325 nm		1300 nm	
Scanning System	OCTG13 (Standard Scanner)			
Scan Lens Kit	OCT-LK4		OCT-LK3	
Reference Length Adapter	OCT-RA4		OCT-RA3	
Accessories	OCT-STAND(/M) and OCT-XYR1(/M)			



TEL221C1
The TEL221C1 configuration consists of a TEL221 high-resolution 1300 nm base unit, standard scanner, general-purpose scan lens kit, reference length adapter, stand, and stage.

TELESTO SERIES OCT BASE UNIT SPECIFICATIONS				
ITEM #	TEL211	TEL311	TEL221	TEL321
Center Wavelength	1325 nm		1300 nm	
Imaging Depth (Air/Water)	7.0 mm / 5.3 mm		3.5 mm / 2.6 mm	
Axial/Depth Resolution (Air/Water)	11 μ m / 8.3 μ m		5.5 μ m / 4.2 μ m	
A-Scan/Line Rate	5.5 kHz to 76 kHz	10 kHz to 146 kHz	5.5 kHz to 76 kHz	10 kHz to 146 kHz
Sensitivity ^a	111 dB (at 5.5 kHz)	109 dB (at 10 kHz)	111 dB (at 5.5 kHz)	109 dB (at 10 kHz)
Base Unit Dimensions	411.8 mm x 325.0 mm x 143.0 mm			

^aTypical Values Measured Using a Common Path Probe with 50% Beamsplitter

