

LDC 1300: Laser Diode Controller - for FPL, BOA, SOA and SLD in Butterfly & DIL Packages - Limited Warranty Period

7.1.2.SP.1300 Rev E Limited Warranty *

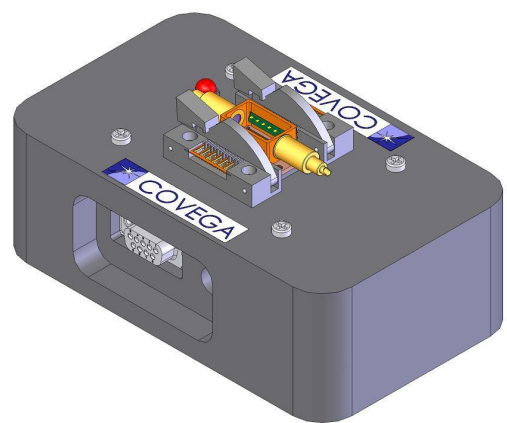
Description

COVEGA's Laser Diode Controller (LDC) combines Laser driver, TEC controller and mount in a rugged, compact and cost effective package. The unit is easily controlled by personal computer through a RS-232 interface.

It is suited for evaluation and testing of Covega's Lasers, Superluminescent Diodes and Optical Amplifier products in the laboratory or on the production floor. The LDC 1300 evaluation board is for evaluation and demonstration purposes only and should be used to establish the operational parameters for the device. For that purpose, the LDC1300 evaluation board is warranted for six months from date of shipment.

The LDC is available for Butterfly and DIL packages and offers highly efficient heat-sinking by means of a solid aluminum mount.

The unit comes with an external 5V wall - plug power supply for rated from 90 - 250V, driver software & manual, RS-232 cable and power cord.



Applications

- ✓ Laboratory Evaluation & Testing of SOAs, BOAs, SLDs, FPLs
- ✓ Inspection of SOAs, BOAs, SLDs, FPLs for production

Features

→ Laser Diode Driver Integrated with TEC Controller

Specifications

CW; T (Chip) = 25°C, T (Case) = 0 - 70°C

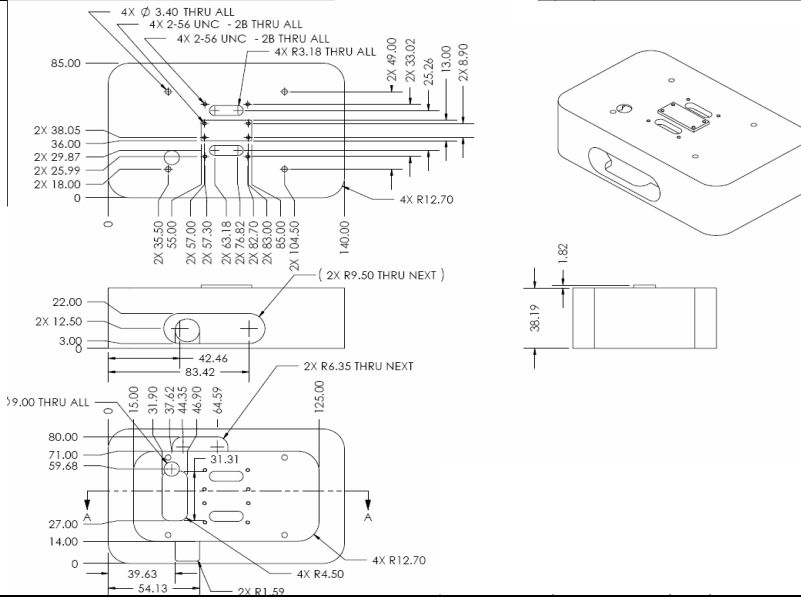
Parameter		Min	Typ	Max	
Electrical					
Supply Current	I			2.4	A
Supply Voltage	V	4.5	5	5.5	V
Drive Current	I _D			1000	mA
Drive Current Resolution			16		bit
TEC Set Point	T	10		40	C
TEC Step			0.1		C
Update Rate			3		Hz
Computer Communications					
Compatibility	Windows 95 / 98 / NT / 2000 / XP				
Interface	RS - 232				

SPECIFICATIONS SUBJECTED TO CHANGE WITHOUT NOTICE

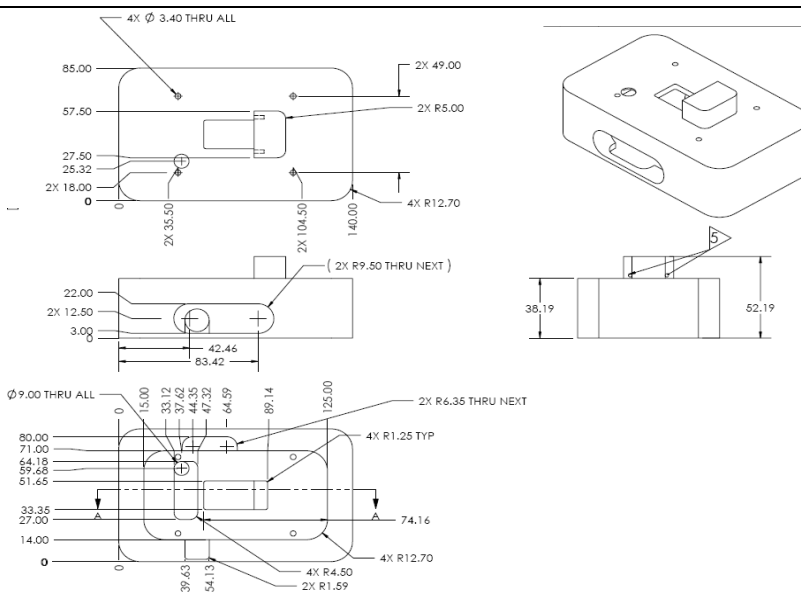
The picture is a representation. The actual part may vary from the one shown.

LDC 1300

Drawings



For Butterfly packages



For DIL Packages

Ordering Information

LDC 1300 - XXX	
XXX	
Package	
BFL = Butterfly	
DIL = DIL	
The LDC 1300 carries a six-month warranty period from the date of shipment.	

© Covega Corporation - All rights reserved